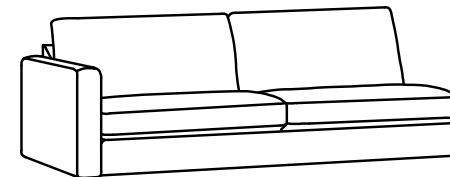


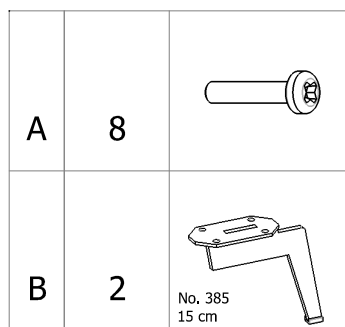
SEATER

WITH ARMREST

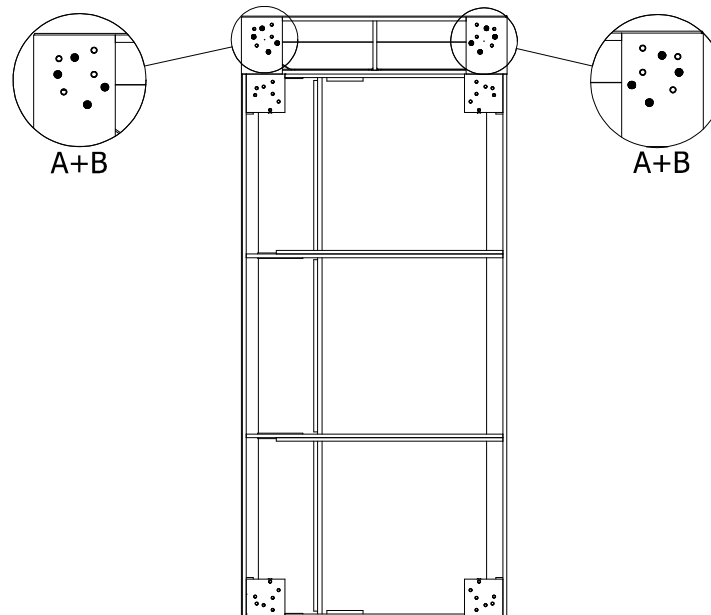
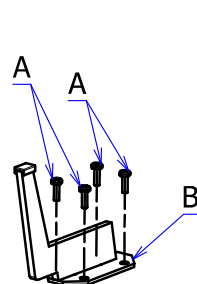


MODULAR SOFA

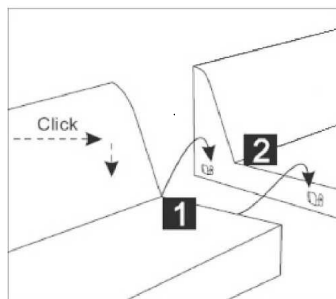
I



II



III



IMPORTANT

- The direction in which the hooks are connected, goes from left to right.
- At least two people are necessary to lift the sofa, do not lift the sofa alone or push it.
- It may cause damage in the connecting mechanisms and may create creaking noise in furniture.
- The sofa has to be placed on a flat and leveled surface.
- While attaching parts make sure hooks No. 1 fit with hooks No. 2.

VILMERS